

# Sprint

## SP Stainless Steel Close-coupled Centrifugal Pump



© | Copyrights Reserved

### General

This new generation pump, 'Sprint', is a state-of-the-art line pumps, which its entire hydraulic wet-ends are manufactured from stainless steel - **AISI 304** or **AISI 316**.

Adopting a unique stamping process, the end product is one of superior quality and efficiency to meet today's sophisticated application requirements in the building services and the general industries.

The unique pressing technology that revolutionised the pump design concept, coupled with the AISI 304 or AISI 316 pressed stainless steel hydraulic wet-ends, leads to higher operating efficiency over a wider range of capacities and lowers operating costs.



Λ  
Model 2SP |  
Twin-impeller version

### Design Features

**STAINLESS STEEL CONSTRUCTION** | All wetted parts are made of high quality polished stainless steel, with options of AISI 304 or AISI 316, offering not only excellent resistance to corrosion, but optimum performance and durability.

**CASING** | Designed with centreline discharged, ensuring maximum resistance to misalignment and distortion from pipe loads. The volute casing is designed as an integral part of the pump body.

Sealing between casing and pump bracket is by means of an o-ring.

**IMPELLER** | Impeller is of enclosed type, with projection-welded blades.

**STUFFING BOX** | Mechanical seals (ceramic/ carbon/ NBR) are fitted as standard. Depending on characteristics of liquid handled, various sealing material options are available.

**ELECTRIC MOTOR** | Coupled to totally enclosed fan-cooled (TEFC), aluminium-finned frame motor, with IP55 (weatherproof) protection rating as standard.

**LOW MAINTENANCE & EASE IN SERVICING IF REQUIRED**

### Applications

**BUILDING SERVICES** | General water transfer; pressure boosting systems; fire hose reel; landscaping & water feature applications.

**INDUSTRIAL** | Water circulation & machine cooling; washing system; waste water treatment system handling non-aggressive liquid; heat exchanger and other manufacturing processes.

**AGRICULTURAL** | Horticultural irrigation systems; light irrigation for lawns & gardens; sprinkler application.

√  
*Sprint integrated with frequency converter... Variable speed, constant pressure booster pump.*

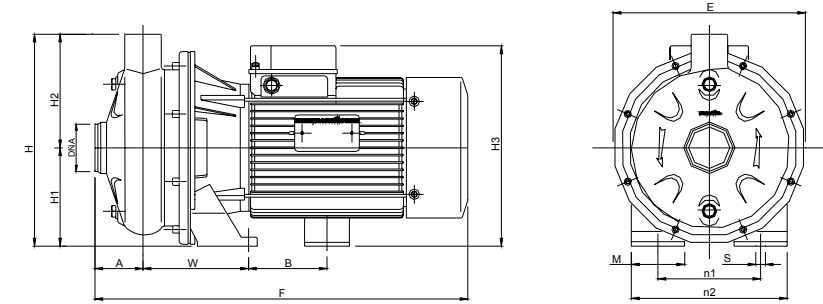


**monoflo PUMPS**

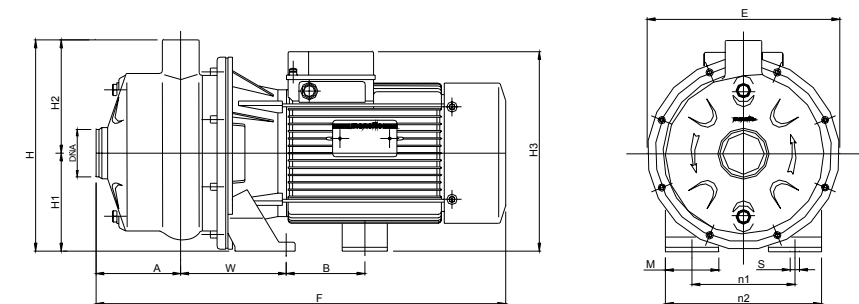
...engineering flow in our lives

### Dimensions

#### Model S P



#### Model 2S P



Models		Dimensions   mm													Conn.		Weight	
1 phase	3 phase	A	E	F	H	H1	H2	H3*	h4*	M	n1	n1	S	W	B	DNa	DNm	[kg]
SPM70/037	SP70/037	52	213	324	232	108	124	208	213	39	120	158	9	92	82	G1 1/4"	G1"	8.1
SPM70/055	SP70/055	52	213	324	232	108	124	208	213	39	120	158	9	92	82	G1 1/4"	G1"	8.8
SPM70/075	SP70/075	52	213	324	232	108	124	208	213	39	120	158	9	92	82	G1 1/4"	G1"	10.0
SPM70/090	SP70/090	52	213	324	232	108	124	208	213	39	120	158	9	92	82	G1 1/4"	G1"	11.0
SPM70/110	SP70/110	52	235	375	252	120	132	252	232	39	140	180	9	94	82	G1 1/4"	G1"	14.6
SPM120/075	SP120/075	52	213	324	232	108	124	208	213	39	120	158	9	92	82	G1 1/4"	G1"	10.0
SPM120/110	SP120/110	52	213	362	232	108	124	240	220	39	120	158	9	92	82	G1 1/4"	G1"	11.6
SPM120/150	SP120/150	52	235	375	252	120	132	252	232	39	140	180	9	94	82	G1 1/4"	G1"	15.8
SPM120/185	SP120/185	52	235	375	252	120	132	252	232	39	140	180	9	94	82	G1 1/4"	G1"	17.0
SPM200/110	SP200/110	52	213	362	232	108	124	240	220	39	120	158	9	92	82	G1 1/2"	G1"	11.6
SPM200/150	SP200/150	52	213	362	232	108	124	240	220	39	120	158	9	92	82	G1 1/2"	G1"	15.0
SPM200/185	SP200/185	52	213	362	232	108	124	240	220	39	120	158	9	92	82	G1 1/2"	G1"	16.0
2SPM70/150	2SP70/150	87	235	409	252	120	132	252	232	39	140	180	9	94	82	G1 1/4"	G1"	17.8
2SPM70/185	2SP70/185	87	235	409	252	120	132	252	232	39	140	180	9	94	82	G1 1/4"	G1"	19.6

\*Dimensions H3 & H4, applicable for single-phase and three-phase motors, respectively.  
| All dimensions are for reference only, and are subjected to changes without prior notice.

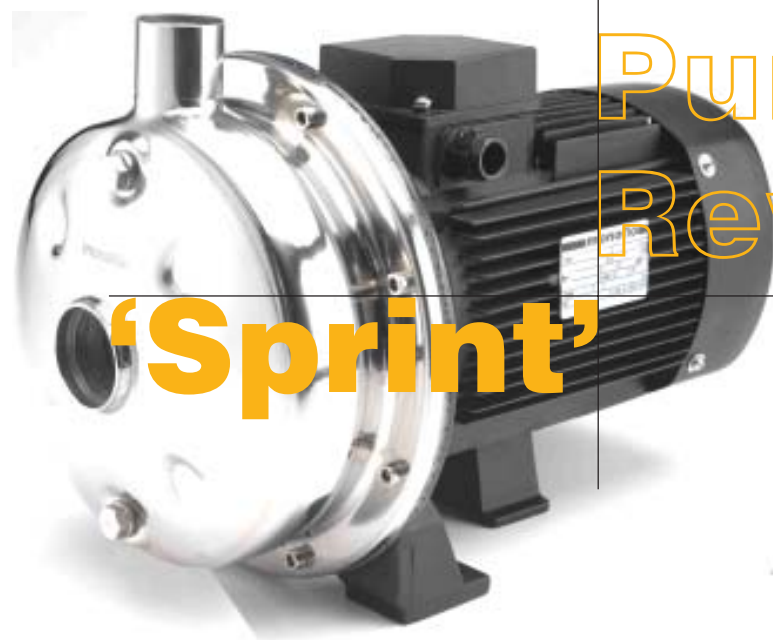
As MONOFLO Pumps is constantly improved, we reserve the right to make specification changes without prior notice and without incurring liability.

© | Copyrights Reserved | Monoflo Pumps Pty Ltd

**monoflo**  
MONOFLO PUMPS PTY LTD

For inquiries, services & spare parts

Distributor



# Pumps... Revolutionised

## 'Sprint'

### Operating Limits

#### LIQUID HANDLED |

Clean water or non-aggressive liquid compatible to AISI 304/316 stainless steel.

#### WORKING PRESSURE |

Max. working pressure up to **8 bar or 800 kPa**.

#### CAPACITY |

Max. capacity up to **260 litres/min or 15.6 m3/hr**.

#### DISCHARGE PRESSURE |

Maximum discharge pressure up to **61 metres**.

#### OPERATING TEMPERATURE |

**-15 to 80°C** with *NBR/ceramic/carbon* standard fitted mechanical seal. For higher temperature, special seals are available upon request.

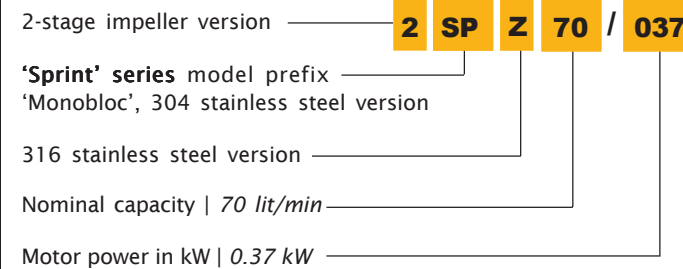
#### OPERATING SPEED |

Operating speed of **2 900 r.p.m.**

### Material of Construction

Material of construction	
Parts	Material
Casing	Stainless steel AISI 304 or AISI 316 as option
Impeller	Stainless steel AISI 304 or AISI 316 as option
Backplate	Stainless steel AISI 304 or AISI 316 as option
Shaft	Stainless steel AISI 304 or AISI 316 as option
Motor frame	Aluminium
Shaft sealing	Mechanical seal   NBR/ Carbon/ Ceramic   DIN24960 Optional sealing material available upon request

### Model Designation



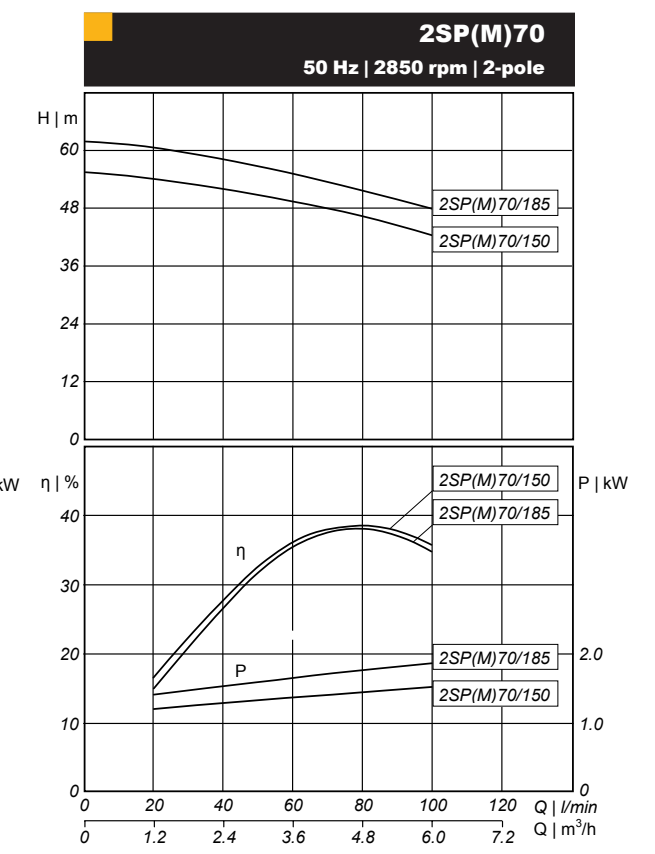
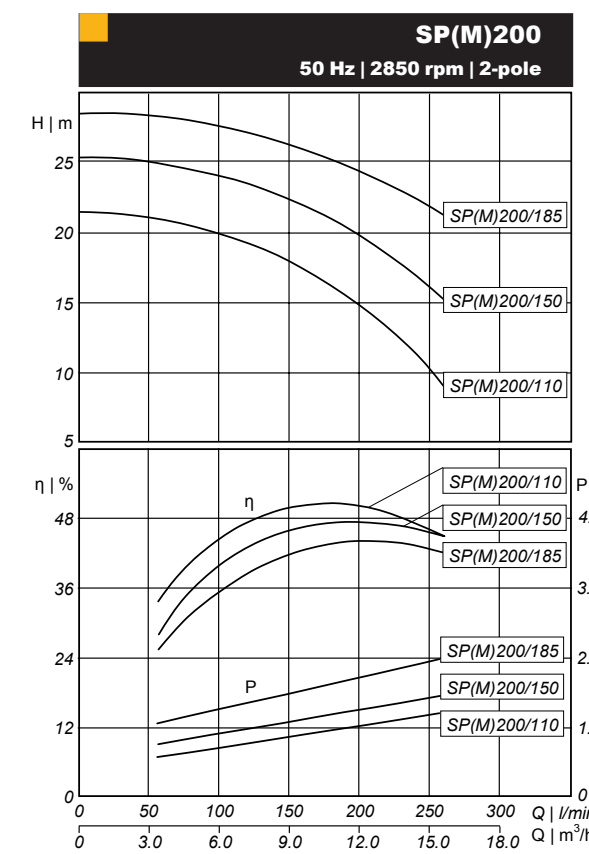
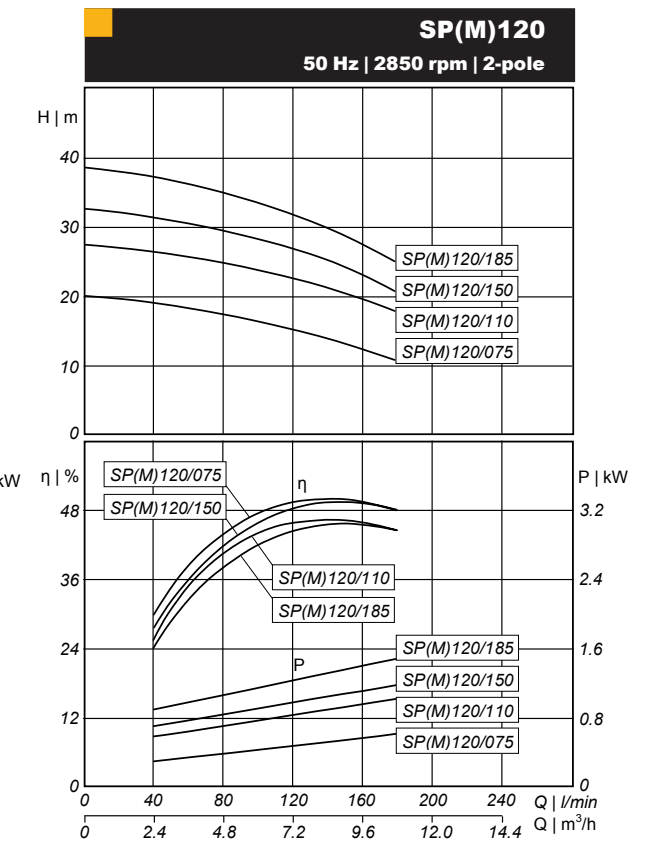
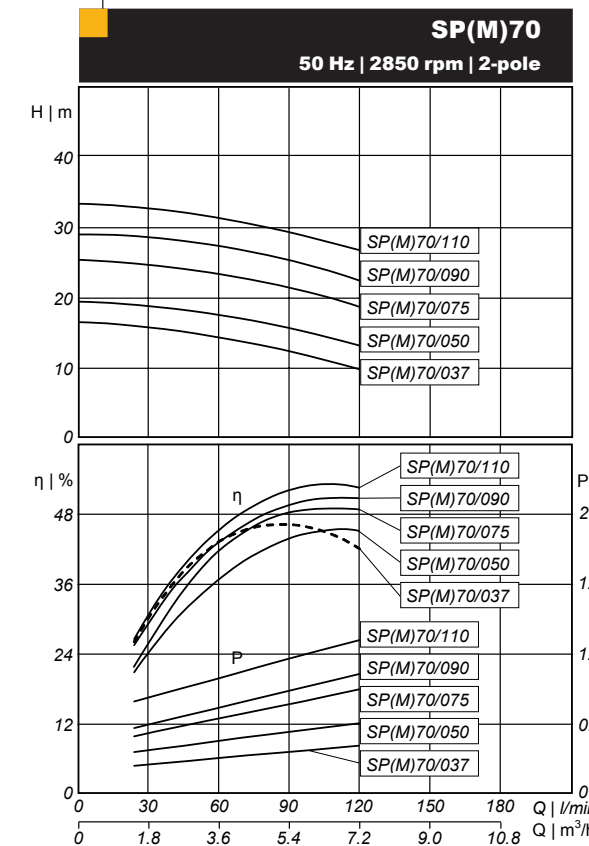
### Technical Data | Motor

Technical data	
Motor type	Totally enclosed fan-cooled [TEFC], encased in an aluminium-finned housing
Protection	IP 55 protection [Weatherproof]
Insulation	Class 'F'
Rating	Continuous
Voltage	<b>Single phase</b> ~ 220-230V/ 1 phase/ 50Hz ~ c/w permanent split capacitor & built-in overload protection  <b>Three phase</b> ~ 380-415V/ 3 phase/ 50Hz ~ Overload protection must be provided by end-users

Electrical data								
Models	Motor		Input power		Input current		Capacitor	
	kW	Hp	1 Ø	3 Ø	230V	415V	µF	V
SP(M) 70/037	0.37	0.5	0.56	0.52	2.26	0.90	13	500
SP(M) 70/055	0.55	0.75	0.76	0.71	3.60	1.24	20	500
SP(M) 70/075	0.75	1.0	0.99	0.99	4.45	1.79	20	500
SP(M) 70/090	0.90	1.2	1.16	1.08	5.42	2.07	20	500
SP(M) 70/110	1.1	1.5	1.42	1.32	6.42	2.34	30	500
SP(M) 120/075	0.75	1.0	0.98	0.99	4.45	1.79	20	500
SP(M) 120/110	1.1	1.5	1.41	1.32	6.42	2.34	30	500
SP(M) 120/150	1.5	2.0	1.93	1.81	8.80	3.03	40	500
SP(M) 120/185	1.85	2.5	2.44	2.95	11.04	3.19	40	500
SP(M) 200/110	1.1	1.5	1.41	1.32	6.42	2.34	30	500
SP(M) 200/150	1.5	2.0	1.93	1.81	8.80	3.03	40	500
SP(M) 200/185	1.85	2.5	2.44	2.95	11.04	3.19	40	500
2SP(M) 70/150	1.5	2.0	1.93	1.81	8.8	3.03	40	500
2SP(M) 70/185	1.85	2.5	2.44	2.95	11.04	3.19	40	500

### Performance Curves

- Performance tested to ISO2858, Class C
- Water test temperature at 20°C



Remarks: Refer to MONOFLO individual pump performance curves for accurate selections